

K-BXMOR5 Weldable Box

Type: Mortise

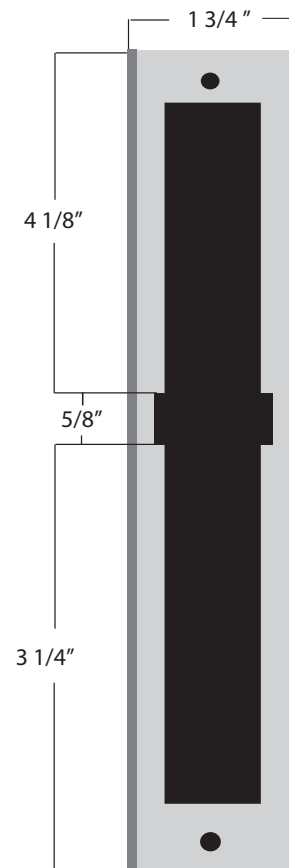
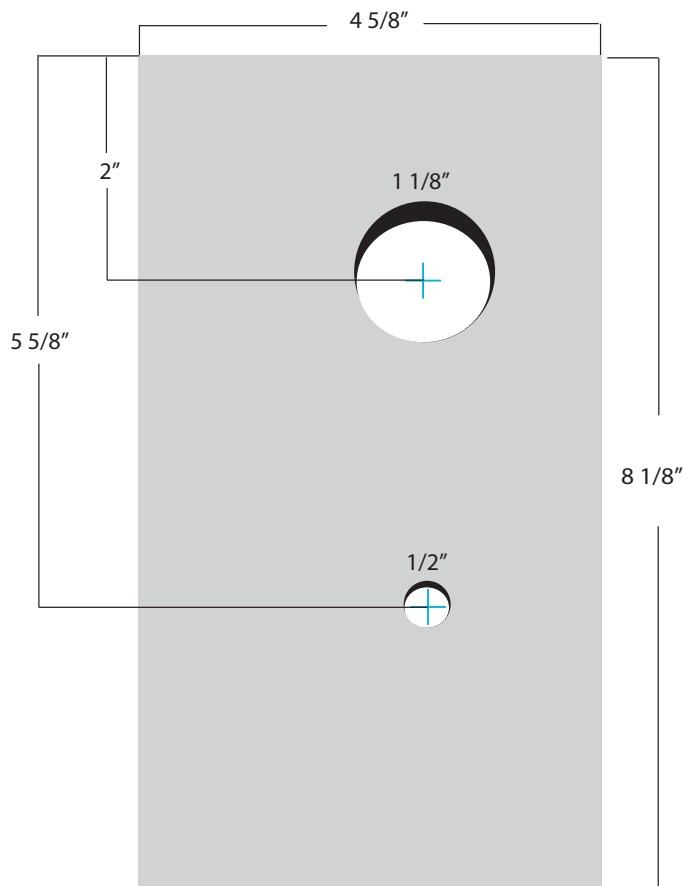
Dimensions:

4 5/8" W x 8 1/8" H x 1 3/4" D

Backset: 2 3/4"

Materials Available:

14 Gauge Steel.....K-BXMOR5



www.keedex.com • 714-993-4300

This rendering is NOT to scale and dimensions are NOT exact. For precise technical information, please refer to the template for the lock you are using.