

# K-BXSGL234-2D

## Weldable Box

Type: Cylindrical

Dimensions:

4 3/4" W x 4 1/8" H x 2" D

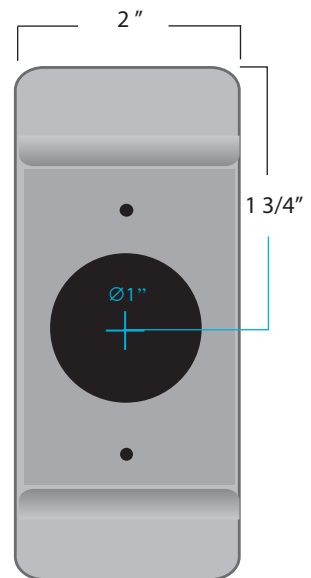
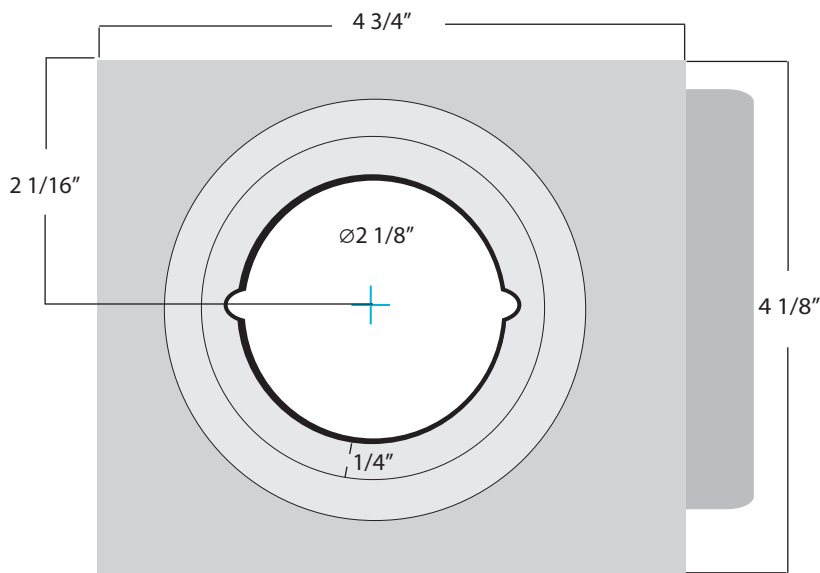
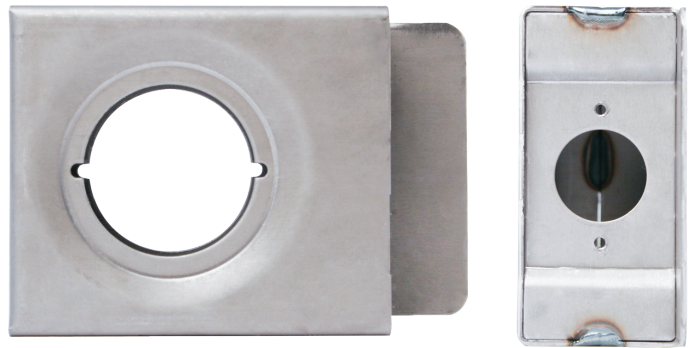
Backset: 2 3/4"

Materials Available:

14 Gauge Steel.....K-BXSGL234-2D

.125 Gauge Aluminum.....K-BXSGL234-2D-AL

Notes: the depth of the 1/4" indent around the hole is 1/8" on each side, equalling 1/4" overall- allowing for the mounting of standard 1 3/4" lock hardware.



www.keedex.com • 714-630-0800

This rendering is NOT to scale and dimensions are NOT exact. For precise technical information, please refer to the template for the lock you are using.