
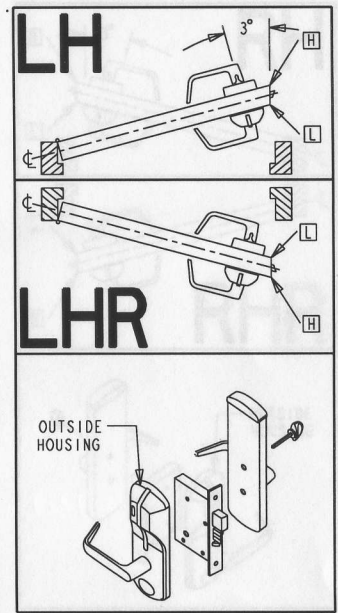
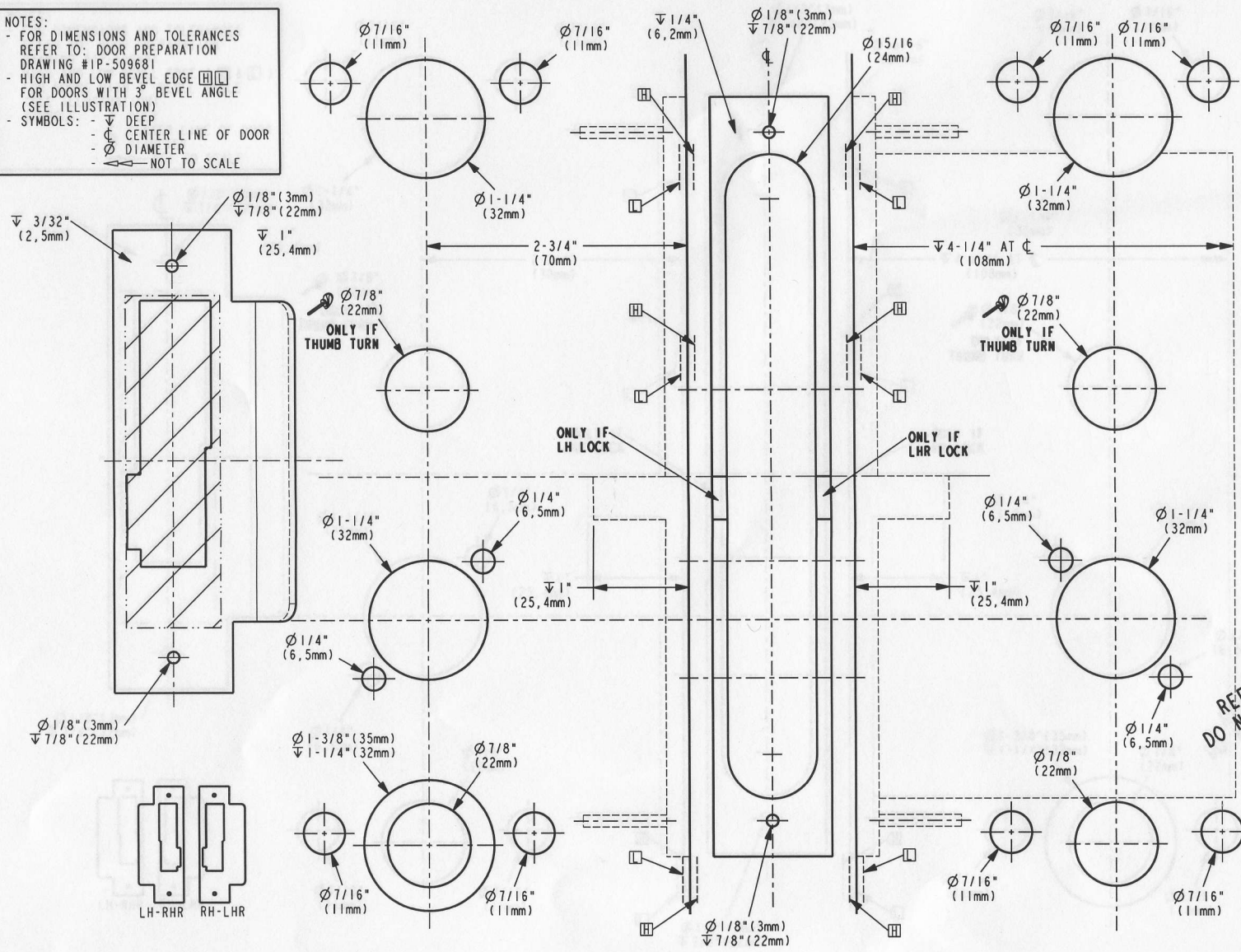
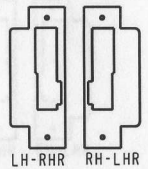




NOTES:  
 - FOR DIMENSIONS AND TOLERANCES REFER TO: DOOR PREPARATION DRAWING #IP-509681  
 - HIGH AND LOW BEVEL EDGE   
 - FOR DOORS WITH 3° BEVEL ANGLE (SEE ILLUSTRATION)  
 - SYMBOLS: - ▽ DEEP  
 - ○ CENTER LINE OF DOOR  
 - ∅ DIAMETER  
 - ← NOT TO SCALE



REFERENCE ONLY. NOT TO SCALE  
 DO NOT USE AS A DRILLING TEMPLATE  
 CONTACT CUSTOMER SUPPORT



 	7301, Decarie Boul Montreal, QC Canada H4P 2G7 www.kaba-ilco.com
	<b>DRILLING TEMPLATE</b> <b>SOLITAIRE 710/850/850L/950</b> AMERICAN MORTISE - 1-1/4" FRONT PLATE LEFT HAND (LH) - LEFT HAND REVERSE (LHR) BACKSET OF: <b>2-3/4" (70mm)</b>
<b>DT-509681</b>	SHEET 1 OF 2 REV-2 ECN-9759