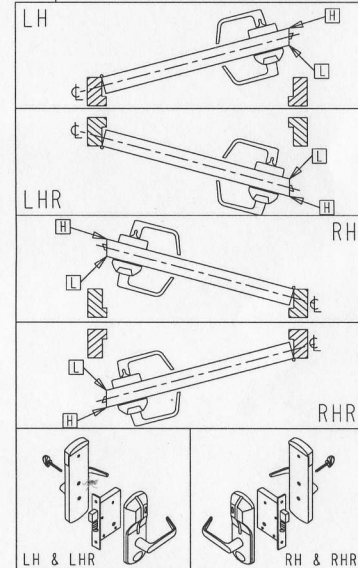


NOTES:  
 1- FOR DIMENSIONS AND TOLERANCES REFER TO: DOOR PREPARATION DRAWING #IP-5099275  
 2- HIGH AND LOW BEVEL EDGE, H AND L SHOWN FOR DOOR WITH 3° BEVEL ANGLE  
 3- SYMBOLS:  
 - ∇ DEEP  
 - ∇ CENTER LINE OF DOOR  
 - Ø DIAMETER  
 - ← NOT TO SCALE

HOLE ID	DIM INCH	DIM mm	COMMENTS
A	Ø 7/16	Ø 11,0	-
B	Ø 1-1/4	Ø 32,0	-
C	Ø 7/8	Ø 22,0	ONLY IF RH OR LHR
D	Ø 1-3/8	Ø 35,0	-
E	Ø 1/8	Ø 3,0	∇ 7/8" (22mm)
F	∇ I	∇ 25,4	ONLY IF RH OR LHR
G	∇ I	∇ 25,4	ONLY IF LH OR RHR

UNLESS OTHERWISE NOTED, DRILL HALF DOOR THICKNESS ON BOTH SIDES.



DRILLING TEMPLATE  
 SOLITAIRE 710-11, 740 AND 71M  
 AMERICAN MORTISE - 1 1/4 FRONT PLATE  
 LEFT HAND (LH) - LEFT HAND REVERSE (LHR)  
 RIGHT HAND (RH) - RIGHT HAND REVERSE (RHR)  
 BACKSET OF 2-3/4 (70mm)

**KABA** 7301, Decarie Boul  
 Montreal, QC Canada  
 H4P 2G7  
 www.kaba-ilco.com

SHEET	DATE	UNE VERSION FRANÇAISE DE CE DOCUMENT EST DISPONIBLE SUR DEMANDE.
1 OF 1	200C06 ECN 1/2004	DT-509275

REV-4

DO NOT REPRODUCE  
 CONTACT CUSTOMER SUPPORT  
 1-800-906-4526