

REF. INSTRUCTION SHEET NO.:
80-0180-363

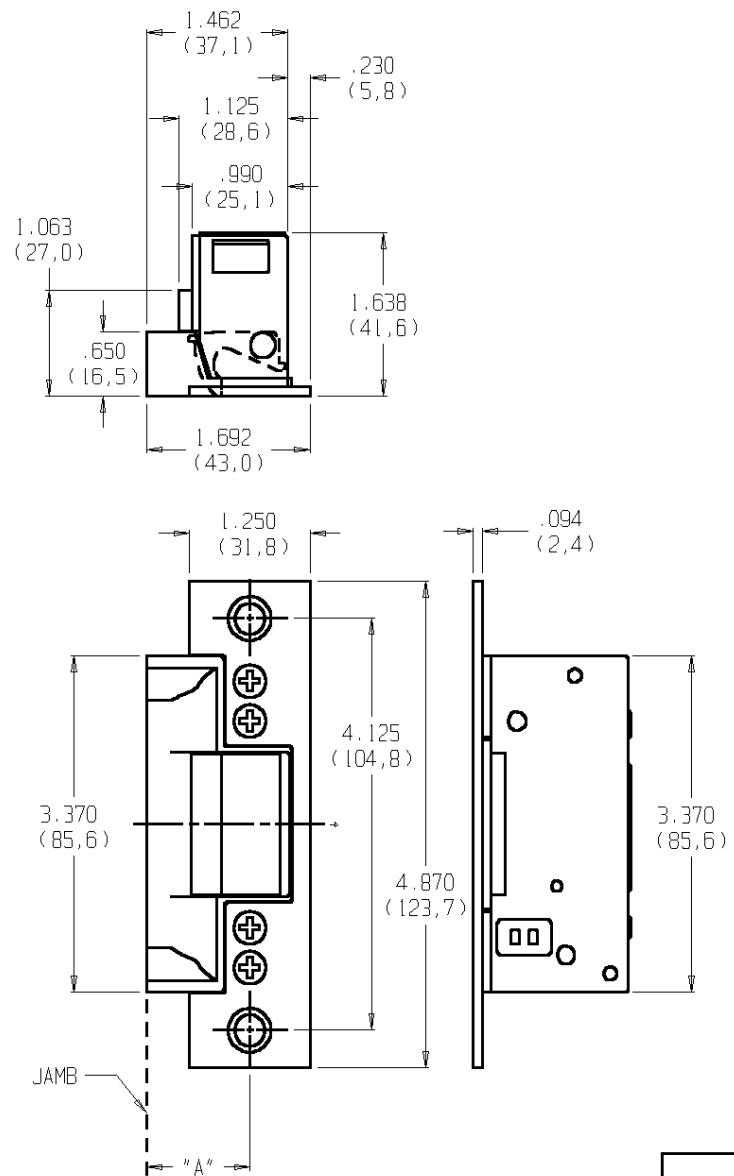
TEMPLATE NO.:
52110-1

DATE:
07-09-97

ADAMS RITE MANUFACTURING COMPANY
POMONA, CA. 91767

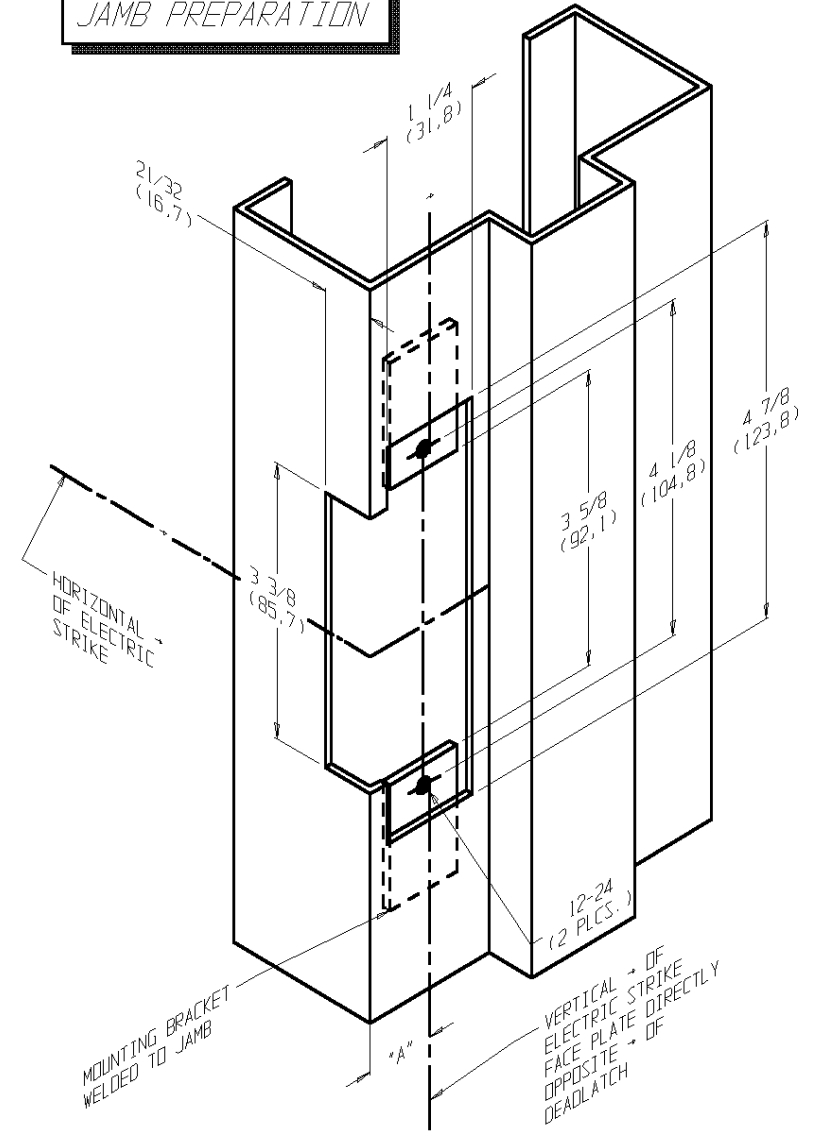
7140/7240 ELECTRIC STRIKE
FOR METAL JAMB WITH
KEY-IN-KNOB LATCHES

ELECTRIC STRIKE DIMENSIONS



- NOTE:
1. WHEN DOOR SILENCER ARE USED ON FRAME, ADJUST STRIKE LOCATION TO ENSURE COMMON LATCH AND STRIKE CENTERLINES.
 2. STANDARD UNIT FITS DIM. "A" UP TO 1 1/16" (SEE DASH NO.)
 3. 7240-LJ-10B, 3HRS - FAIL SECURE ONLY

JAMB PREPARATION



FOR EXTENDED LIP: (DIM "A" DOOR → TO JAMB EDGE)

DASH NO.	DIM "A"	DASH NO.	DIM "A"	DASH NO.	DIM "A"
NONE	1.06	-05	2.00	-10	2.63
-01	1.50	-06	2.13	-11	2.75
-02	1.63	-07	2.25	-12	2.88
-03	1.75	-08	2.38	-13	3.00
-04	1.88	-09	2.50		