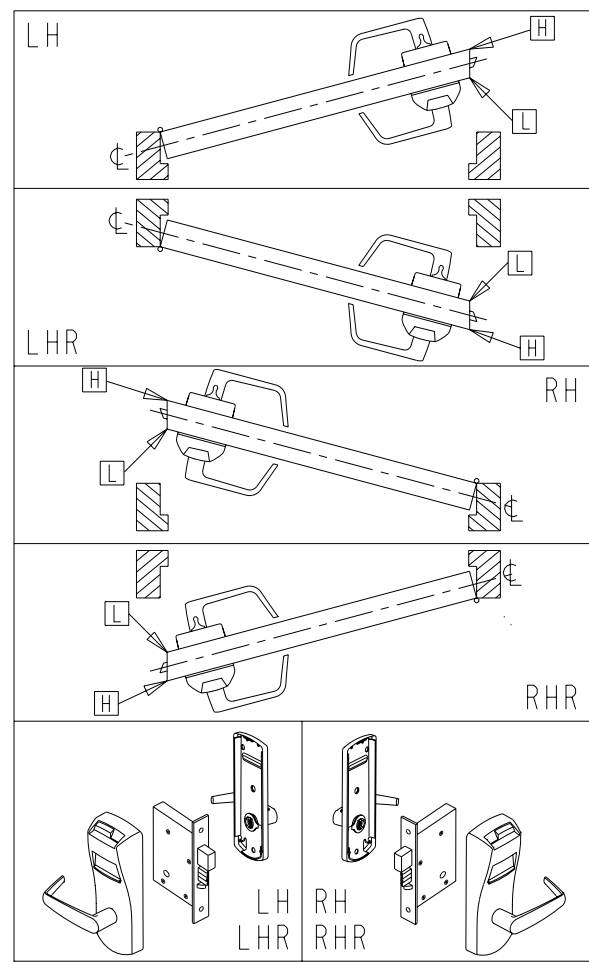


NOTES:
 1- FOR DIMENSIONS AND TOLERANCES REFER TO: DOOR PREPARATION DRAWING #IP-510151
 2- HIGH AND LOW BEVEL EDGE, H AND L SHOWN FOR DOOR WITH 3° BEVEL ANGLE
 4- SYMBOLS: - ∇ DEEP
 - ⌀ CENTER LINE OF DOOR
 - ⌀ DIAMETER
 - ⚡ NOT TO SCALE

HOLE ID	DIM INCH	DIM mm	COMMENTS
A	∅ 1/2	∅ 12,5	-
B	∅ 1	∅ 25,5	-
C	∅ 1/8	∅ 3,0	∇ 7/8" (22mm)
D	∅ 1/2	∅ 12,5	ONLY IF THUMB TURN
E	∇ 1	∇ 25,4	ONLY IF RH OR LHR
F	∇ 1	∇ 25,4	ONLY IF LH OR RHR

UNLESS OTHERWISE NOTED, DRILL HALF DOOR THICKNESS ON BOTH SIDES.



DRILLING TEMPLATE 660, 760, 770, 790 AND 76M LOCK SERIES

AMERICAN MORTISE - 1 1/4 FRONT PLATE
 LEFT HAND (LH) - LEFT HAND REVERSE (LHR)
 RIGHT HAND (RH) - RIGHT HAND REVERSE (RHR)
 BACKSET OF 2-3/4 (70mm)



SHEET	DATE	UNE VERSION FRANCAISE DE CE DOCUMENT EST DISPONIBLE SUR DEMANDE.
1 OF 1	240C07	
	ECN	DT-510151
	12610	REV-7

DO NOT REPRODUCE
 CONTACT CUSTOMER SUPPORT
 1-800-906-4526